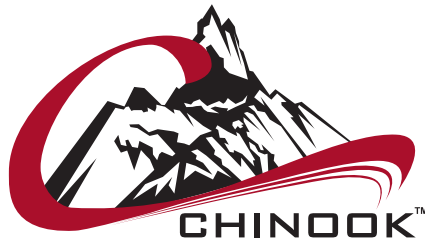




AIR DIE GRINDER OPERATIONS MANUAL



1/4" DIE GRINDER MINI P1238

IMPORTANT SAFETY INFORMATION

Please read, understand and follow all safety information contained in these instructions prior to the use of this tool. Retain these instructions for further use. These instructions are applicable for for **CHINOOK™** and Model Die Grinders offered by Premium Tool & Abrasives Co. Ltd.

INTENDED USE

This pneumatic tool is designed to be used with a disc pad, abrasive disc, cutting disc, or other shaft mounted abrasive product for sanding metals, wood, stone, plastics and other materials. It should only be used for sanding and cutting applications within its marked capacity and ratings. Only accessories specifically recommended by PTA Canada should be used with this tool. Use in any other manner or with other accessories could lead to unsafe operating conditions.

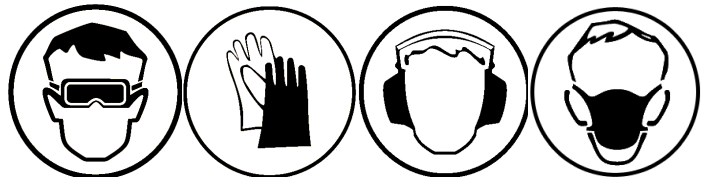
Do not operate tool in water or in an excessively wet work area.

Do not use disc pads or abrasives products that have a MAX RPM less than the RPM rating marked on your tool.

WARNING

Read the Material Safety Data Sheets (MSDS) before using any materials.

Contact the suppliers of the workpiece materials and abrasives materials for copies of the MSDS if one is not readily available.



WARRANTY

Premium Tool & Abrasives warrants its Die Grinder Air Tools for a period of **1 year** from the purchase date against manufacturing defects and will repair or replace (at its option) without charge any items returned. This warranty is void if the item has been damaged by accident or unreasonable use, neglect, improper service, or other causes not arising out of defects in material or workmanship. No other expressed warranty is given or authorized. Premium Tool & Abrasives disclaims any implied warranty of MERCHANTABILITY or FITNESS for any period beyond the expressed warranty and shall not be liable for incidental or consequential damages.

To obtain warranty service, return the item(s) prepaid to your nearest Authorized Warranty Repair Center or to Premium Tool & Abrasives at 10761 - 181 ST, NW. Edmonton, AB, Canada, T5S 1N3.

IMPORTANT SAFETY INSTRUCTIONS

To reduce the risks associated with the use of abrasive products, disc pads, tool breakup, sharp edges, hazardous pressure, rupture, vibration and noise:

- Read, understand and follow the safety information contained in these instructions prior to using this tool. Keep these instructions for further reference.
- Only properly trained personnel should service this tool. Any other service will void warranty.
- Practice safety requirements - work alert, have proper attire, and do not operate tools under the influence of alcohol or drugs.
- Operators and nearby personnel must always wear protection for eyes, ears, and respiratory protection when in the work area or while operating this product. Follow your employer's safety policy for PPE's and/or ANSI Z87.1 or local/national standards for eye wear and other personal protective equipment requirements.
- Never exceed marked maximum input pressure (90psi / .62Mpa / 6.2Bars).
- Proper eye protection must be worn at all times.
- Tool shall not be operated in the presence of bystanders.
- If you notice any abnormal noise or vibration when operating the product, immediately discontinue its use and inspect for worn or damaged components (mounting hardware, abrasive product, etc). Correct or replace the problem component. If the problem persists, return the tool to PTA Canada for repair or replacement. Please refer to warranty instructions.
- Never operate this tool without all safety features in place and in proper working order.
- Do not remove or disable safety feature of on-off control device.
- Make sure the tool is disconnected from its air source before servicing, inspecting, maintaining, cleaning, and before changing abrasive product.
- Prior to use, inspect abrasive product, disc pad, and other accessories for possible damage. If damaged, replace with new abrasive product and accessories available from PTA Canada.
- Never over-ride the safety start-stop control such that it is in the on position.
- Use only with mounting hardware recommended by PTA Canada; check with PTA Canada for mounting hardware requirements.
- Always ensure that shaft diameters match internal diameters of the collet inserts.
- Maximum operating speed of abrasive products or accessories must be reduced whenever the exposed length of shaft (overhang) is longer than corresponding PTA Canada approved products.
- Use only with abrasive products not requiring guards according to local, state and federal regulations.

WARNING

RISKS	PREVENTION
Vibration	• If any physical discomfort is experienced, work should be stopped promptly to seek medical attention. Injury may result from repetitive work, motion and exposure to excessive vibration.
Loud Noise	• Always wear protection for eyes, ears, and respiratory protection while operating this product. Follow your employer's safety policy for PPE's and/or ANSI Z87.1 or local/national standards for eyewear and other personal protective equipment requirements..
Fire or Explosion	• Do not operate the tool in explosive atmospheres, such as in the presence of flammable liquids, gases, or dust. The abrasives are able to create sparks when working material, resulting in the ignition of the flammable dust or fumes.
Dust Ingestions or Eye/Skin Exposure	• Use appropriate respiratory and skin protection, or local exhaust as stated in the MSDS of the material being worked on.
Hazardous Voltage	• Do not allow this tool to come into contact with electrical power sources as the tool is not insulated against electrical shock.
Skin Abrasion/Burns/ Cuts/Entrapment	• Keep hands, hair, and clothing away from the rotating part of the tool. • Wear suitable protective gloves while operating tool. • Do not touch the rotating parts during operation for any reason. • Do not force tool or use excessive force when using tool.
Fly Off of Abrasive Product or Parts	• Use care in attaching abrasive product, disc pad, and mounting hardware; following the instructions to ensure that they are securely attached to the tool before use.
Hazardous Pressure Rupture	• Be aware that incorrectly installed hoses and fittings might unexpectedly come loose at any time and create a whipping/impact hazard.

PRODUCT CONFIGURATION / SPECIFICATIONS

PART NO.	BRAND	COLLET in.	STYLE	SPEED rpm	PRODUCT NET WT. lb. (kg.)	LENGTH in. (mm)	*NOISE LEVEL dBA PRESURE (POWER)	INLET in.	HOSE SIZE in. (mm)
P1220	CHINOOK	1/4	Composite	25,000	0.97 (0.44)	6-1/2 (165)	85	1/4	3/8 (10)
P1222	CHINOOK	1/4	Composite 6" Extended	20,000	2.27 (1.03)	12-9/16 (319)	86	1/4	3/8 (10)
P1238	CHINOOK	1/4	Aluminum	25,000	0.90 (0.41)	5-5/8 (142)	86	1/4	3/8 (10)
P1320	STRIKER	1/4	Composite	22,000	1.28 (0.58)	7-1/16 (180)	81	1/4	3/8 (10)

*The noise levels stated in the table are from laboratory testing and are not sufficient risk evaluation. Values measured in a particular work place may be different from the declared values. The actual exposure values and amount of risk or harm experience by an individual is unique to each situation depending on the surrounding situation.

OPERATING INSTRUCTIONS

Before each use:

- Always operate, inspect and maintain tool in accordance with all regulations that may apply to handheld, hand operated pneumatic tools
- Use a clean lubricated air supply that will give a measured air pressure at the tool of 6.2 bar (90 psig) when the tool is running with the lever fully depressed. Tool will operate at less than maximum pressure - performance will be reduced. It is recommended to use an approved 10 mm (3/8 in) x 8 m (25 ft) maximum length airline.

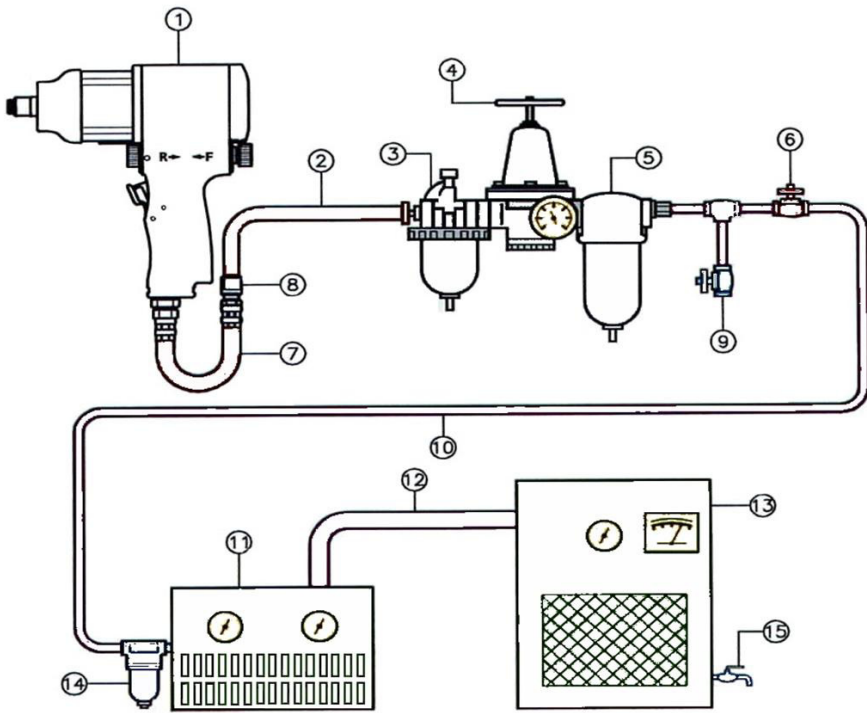
Beginning of each use:

- Lubricate tool by putting 2 to 3 drops of suitable pneumatic motor lubricating oil into the hose end (inlet) of the tool. Connect the tool to the air line and run slowly for a few seconds. Disconnect to safely install desired abrasive. If tool is used frequently, oil daily or when the tool begins to slow or lose power.
- Select desired abrasive and install with wrenches provided. Ensure abrasive product is rated for the tools rpm rating. Use the wrench to secure the collet body while turning the collet nut clockwise. Ensure abrasive is mounted properly before use - an inadequately inserted shank could bend or break causing damage to the tool and work piece and possible injury to the operator or bystanders.
- Depress switch to operate tool.

SAFETY PRECAUTIONS

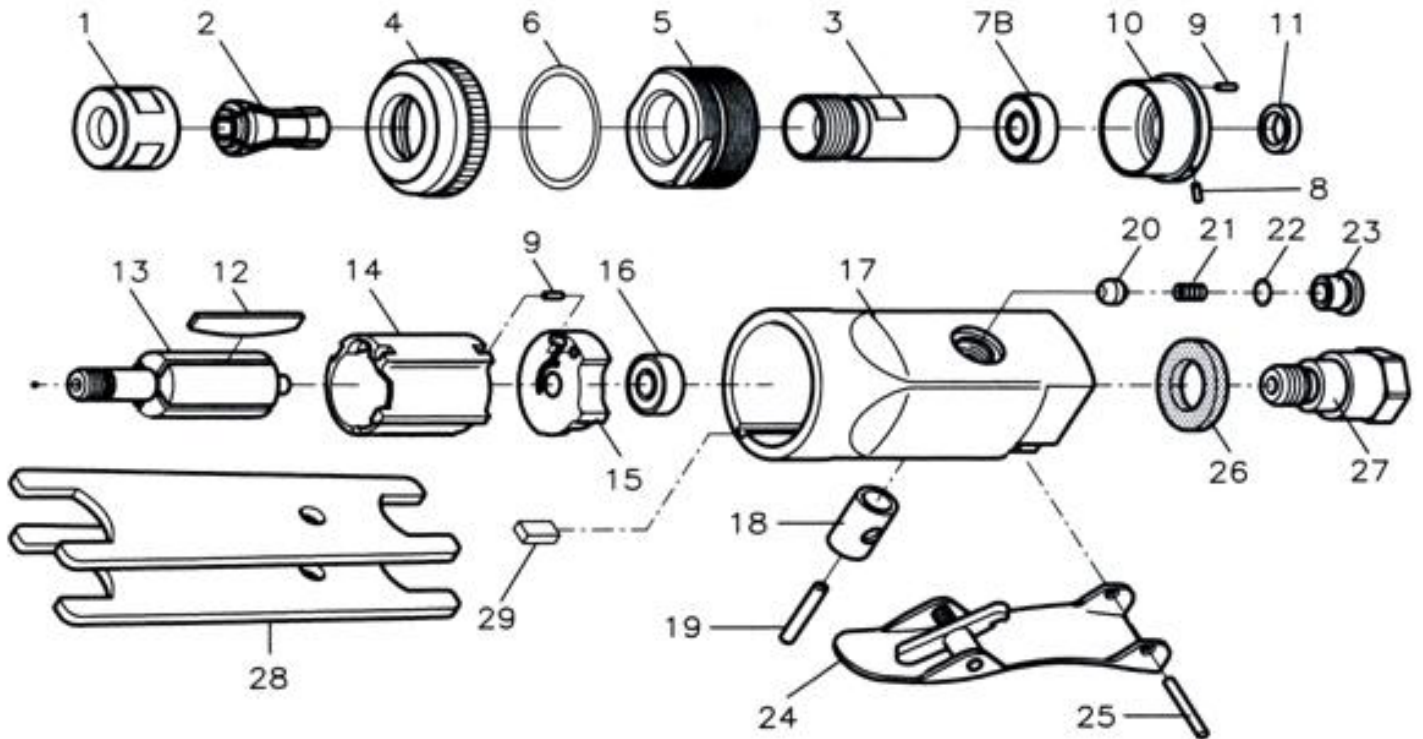
- Read all instructions before using this tool. All operators must be fully trained in its use and aware of safety rules.
- The tool RPM should be checked on a regular basis (at shift change).
- Always wear required safety equipment when using this tool.
- Always remove the air supply to the sander before fitting, adjusting or removing the abrasive or disc pad.
- Always adopt a firm footing and grip and be aware of torque reaction developed by the sander.
- Use only PTA Canada approved spare parts.
- Always ensure the material being worked is firmly fixed to avoid movement.
- Check hose and fittings regularly for wear. Do not carry the tool by its hose.
- Dust can be highly combustible. Vacuum dust collection bag should be cleaned or replaced as needed.
- If tool is serviced or rebuilt, check to ensure the maximum tool RPM is not exceeded and that there is not excessive tool vibration.
- Do not exceed maximum recommended air pressure. Use safety equipment as recommended.
- Prior to installing any shaft mounted abrasive or sanding or grinding accessory, always check that its marked maximum operating speed is equal or higher than the rated speed of this tool.
- The tool is not electrically insulated. Avoid use near live electricity, gas pipes, and/or water pipes.
- This tool is not protected against hazards inherent in cutting operations, and no such cutting products should ever be attached.
- Take care to avoid entanglement with the moving parts of the tool with clothing, ties, hair, cleaning rags or loose hanging objects. If entangled, stop air supply immediately to avoid contact with moving tool parts.
- Keep hands clear of the spinning pad or spindle during use.
- If the tool appears to malfunction, remove from use immediately and arrange for service and repair.
- Immediately release the start handle in the event of any disruption of pressure; do not attempt to re-start until the disruption has been corrected.
- When tool is not in use, store in a clean, dry environment free of debris.

AIR TOOLS AND PIPE FITTING SYSTEM



PART	DESCRIPTION
1	Air Tool
2	Air Hose (3/8")
3	Oiler
4	Pressure Regulator
5B	Filter
6	Shut Off Valve
7	Lead Hose
8	Coupler Body and Connector
9	Drain Daily
10	1/2" or Larger Pipe and Fitting
11	Air Dryer
12	1" or Larger Pipe and Fitting
13	Air Compressor
14	Auto Drain
15	Drain Daily

DIE GRINDER PARTS SCHEMATIC



PART	DESCRIPTION	QTY	PART	DESCRIPTION	QTY
1	Collet Nut	1	17	Motor Housing	1
2	Collet (6mm)	1	18	Bushing	1
3	Spindle	1	19	Pin	1
4	Housing Cover	1	20	Valve Throttle	1
5	Clamp Nut	1	21	Spring	1
6	O-Ring	1	22	O-Ring	1
7B	Ball Bearing	1	23	Valve Plug	1
8	Spring Pin	1	24	Throttle Lever	1
9	Spring Pin	2	25	Spring Pin	1
10	Front End Plate	1	26	Copper Muffler	1
11	Spacer	1	27	Air Inlet (1/4" PF)	1
12	Rotor Blade	4		Air Inlet (1/4" PT)	
13	Rotor	1		Air Inlet (1/4" NPT)	
14	Cylinder	1	28	Double Ended Wrench (19 x 14)	2
15	Rear End Plate	1	29	Seal Lump	1
16	Ball Bearing	1			